



## HYDROMINE™ HMP\_14A Y-Strainer

### Overview:

The HYDROMINE™ HMP\_14A Y-Strainer were designed for catching large solids in the fluid and protecting critical equipment down stream, such as pumps, control valves and cooling coils etc.

### Maintenance Requirement:

It is fairly easy to perform maintenance on the HYDROMINE™ HMP\_14A Y-Strainer, by releasing the pressure, then loosening the cover bolts, removing the cover, removing the strainer element and then cleaning out any foreign objects stuck in the strainer or the strainer element.

### Strainer Element Apertures:

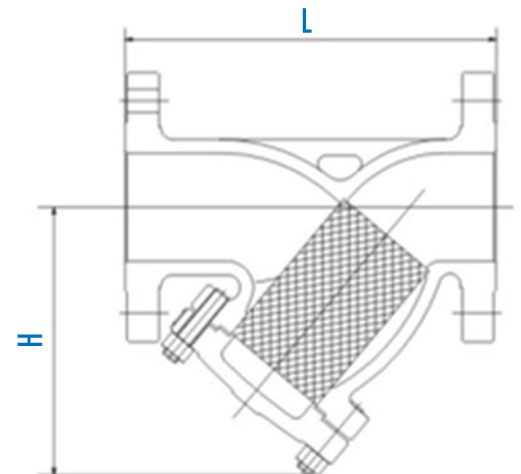
The HYDROMINE™ HMP\_14A Y-Strainer's strainer element apertures are normally specified by the client, depending on the type of equipment that requires protection. In the case where the HYDROMINE™ HMP\_14A Y-Strainer is installed in an HYDROMINE™ LFC or HMP system, Hydromine's technical department will determine the apertures of strainer element.

### Dimensions:



Size		150lbs						300lbs					
		Face to face (L)		Height (H)		Mass		Face to face (L)		Height (H)		Mass	
(DN)	(inch)	(mm)	(inch)	(mm)	(inch)	(kg)	(lbs)	(mm)	(inch)	(mm)	(inch)	(kg)	(lbs)
15	1/2"	140	5,5	70	2,8	1,8	4,0	140	5,5	70	2,8	3	6,6
20	3/4"	150	5,9	70	2,8	3	6,6	150	5,9	70	2,8	5	11,0
25	1"	160	6,3	95	3,7	6	13,2	160	6,3	95	3,7	8	17,6
32	1 1/4"	180	7,1	125	4,9	7	15,4	180	7,1	125	4,9	9	19,8
40	1 1/2"	180	7,1	135	5,3	8	17,6	195	7,7	135	5,3	10	22,0
50	2"	203	8,0	165	6,5	10	22,0	215	8,5	165	6,5	13	28,7
65	2 1/2"	216	8,5	180	7,1	13	28,7	250	9,8	180	7,1	20	44,1
80	3"	241	9,5	189	7,4	15	33,1	260	10,2	189	7,4	40	88,2
100	4"	292	11,5	235	9,3	26	57,3	350	13,8	235	9,3	60	132,3
125	5"	355	14,0	320	12,6	44	97,0	390	15,4	320	12,6	75	165,3
150	6"	406	16,0	345	13,6	53	116,8	430	16,9	345	13,6	83	183,0
200	8"	495	19,5	410	16,1	76	167,6	530	20,9	410	16,1	112	246,9
250	10"	580	22,8	495	19,5	120	264,6	680	26,8	495	19,5	175	385,8

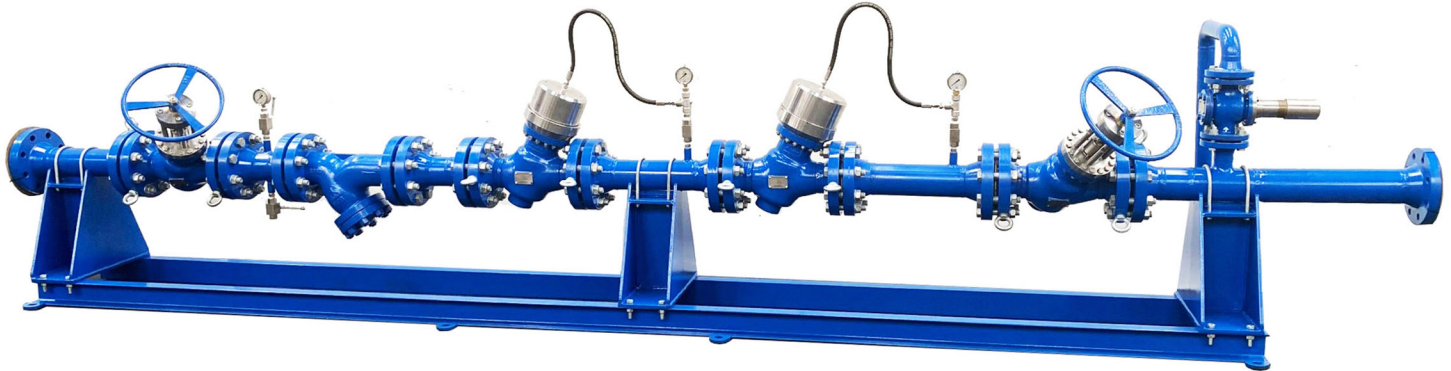
Size		600lbs					
		Face to face (L)		Height (H)		Mass	
(DN)	(inch)	(mm)	(inch)	(mm)	(inch)	(kg)	(lbs)
15	1/2"	180	7,1	80	3,1	2,5	5,5
20	3/4"	230	9,1	80	3,1	5	11,0
25	1"	230	9,1	110	4,3	10	22,0
32	1 1/4"	250	9,8	135	5,3	11	24,3
40	1 1/2"	280	11,0	150	5,9	12	26,5
50	2"	295	11,6	180	7,1	15	33,1
65	2 1/2"	330	13,0	195	7,7	25	55,1
80	3"	380	15,0	200	7,9	50	110,2
100	4"	430	16,9	255	10,0	75	165,3
125	5"	530	20,9	345	13,6	92	202,8
150	6"	580	22,8	370	14,6	113	249,1
200	8"	630	24,8	430	16,9	155	341,7
250	10"	730	28,7	540	21,3	235	518,1





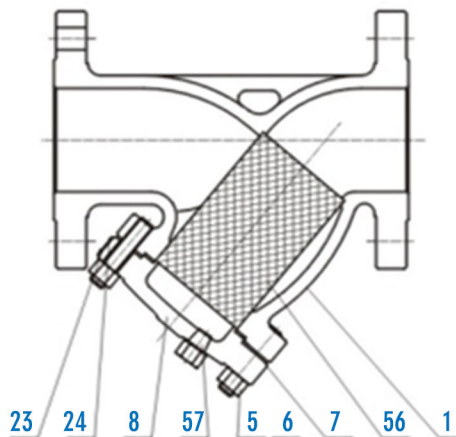
## HYDROMINE™ HMP\_14A Y-Strainer

Example of a HYDROMINE™ HMP Y-Strainer installed in an HYDROMINE™ LFC Pressure regulating station:



### Materials Of Construction:

No	Part name	Below 1.6 MPa	Above 1.6 Mpa	CF8	CF3	CF3M	CE3MN
1	Body	Cast iron	A126 WCB	A351 CF8	A351 CF3	A351 CF3M	CE3MN
5	Stud	A193 B7	A193 B7	A193 B8	A193 B8	A193 B8M	A193 B8M
6	Nut	A194 2H	A194 8	A194 8	A194 8	A194 8M	A194 8M
7	Gasket	3mm Econo ring	Graphite	Graphite	Graphite	Graphite	Graphite
8	Body cover	Cast iron	A126 WCB	A351 CF8	A351 CF3	A351 CF3M	CE3MN
23	Name plate	AISI 304	AISI 304	AISI 304	AISI 304	AISI 304	AISI 304
24	Rivet	ALU	ALU	ALU	ALU	ALU	ALU
56	Element	304 Perforated plate	304 Perforated plate	304 Perforated plate	304 Perforated plate	316 Perforated plate	316 Perforated plate
57	Plug	1035	1035	304	304	316	316



### Design & Manufacturing Standards:

The HYDROMINE™ HMP\_14A Y-Strainer are designed in accordance with various international standards as set out below:

ANSI B16.34    ANSI B16.3  
ANSI B16.5    ANSI B16.37  
ANSI N278.1

Available sizes: DN50 / 2" to DN1000 / 40"  
Pressure rating: up to 10MPa / 1,450 psi (higher pressure ratings available on special request)

Available end connections: ANSI B16.5, BS4504, BS10, AS2129, AS/NZS 4331.1 (ISO 7005-1) DIN, JIS B2239K, All makes of grooved and ring joint couplings, HYDROMINE™ HMP U-Coupling, HYDROMINE™ HMP-TE tapered couplings, butt welded ends and other as per clients requirement